

Examples of IPO-CZ applications eligible for the PPH

Figure A:

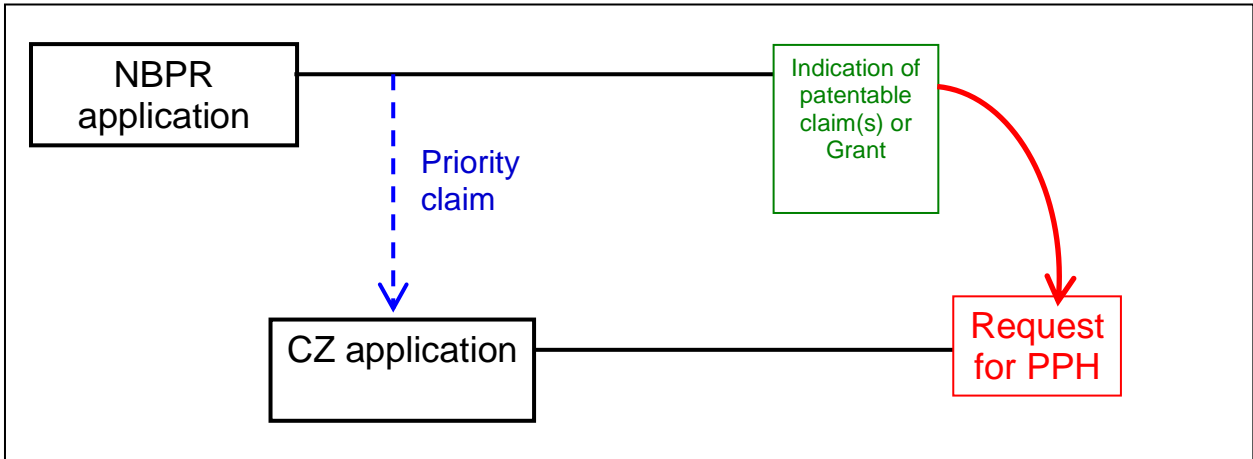
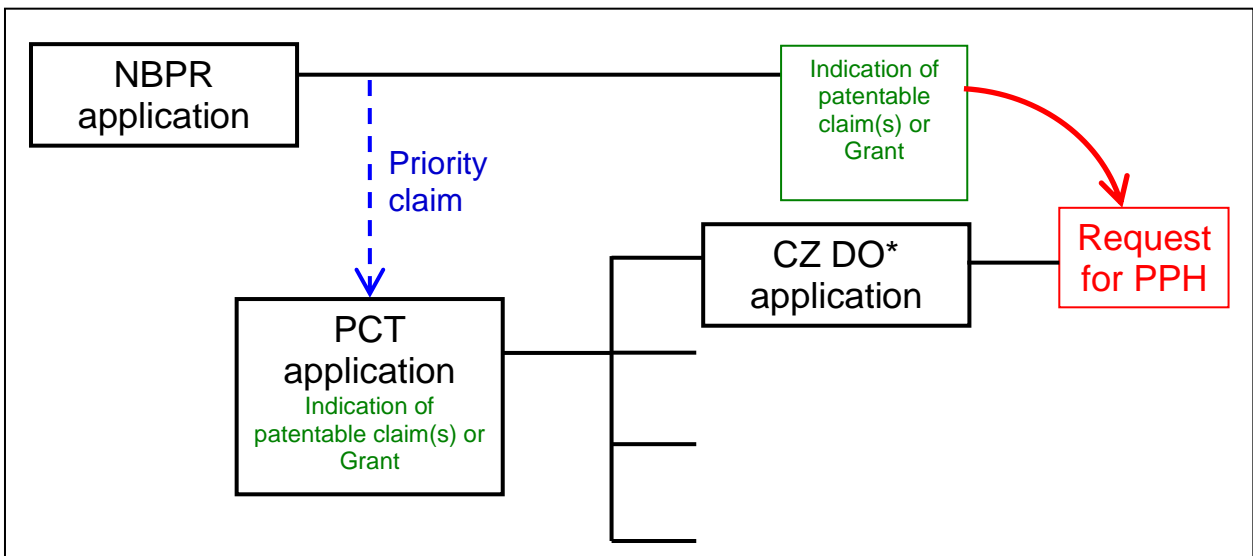


Figure B:



* DO – Designated Office

Figure C:

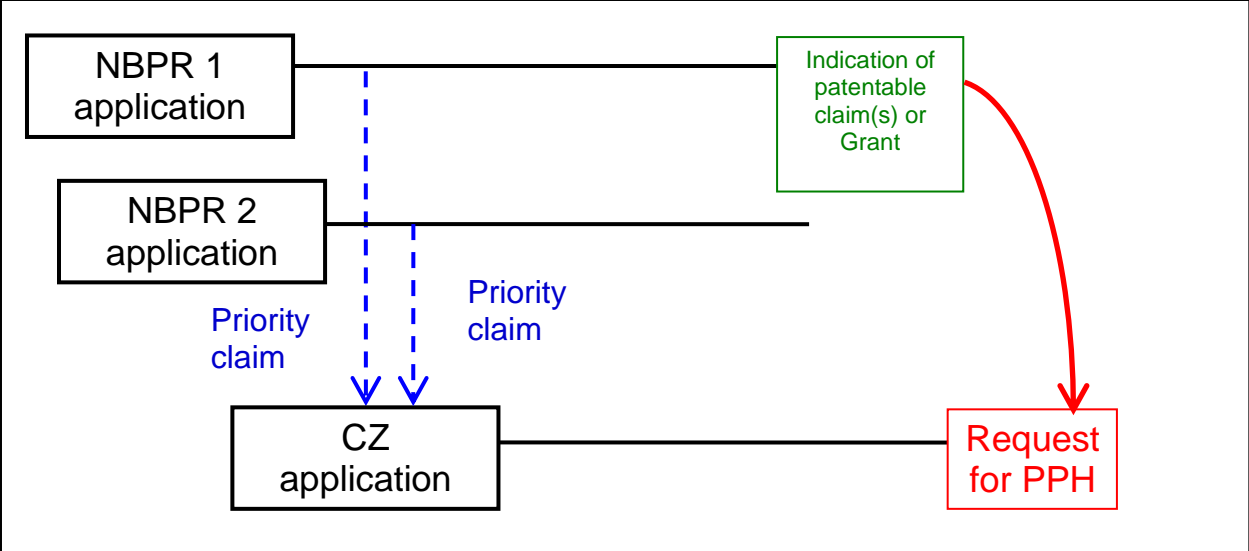


Figure D:

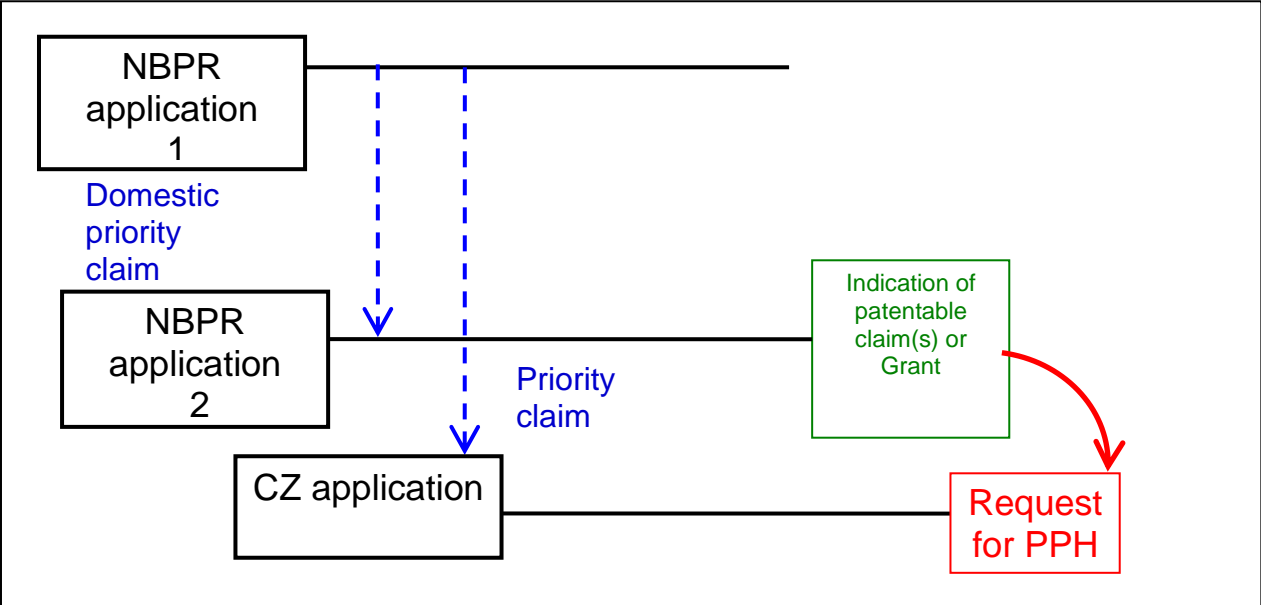


Figure E:

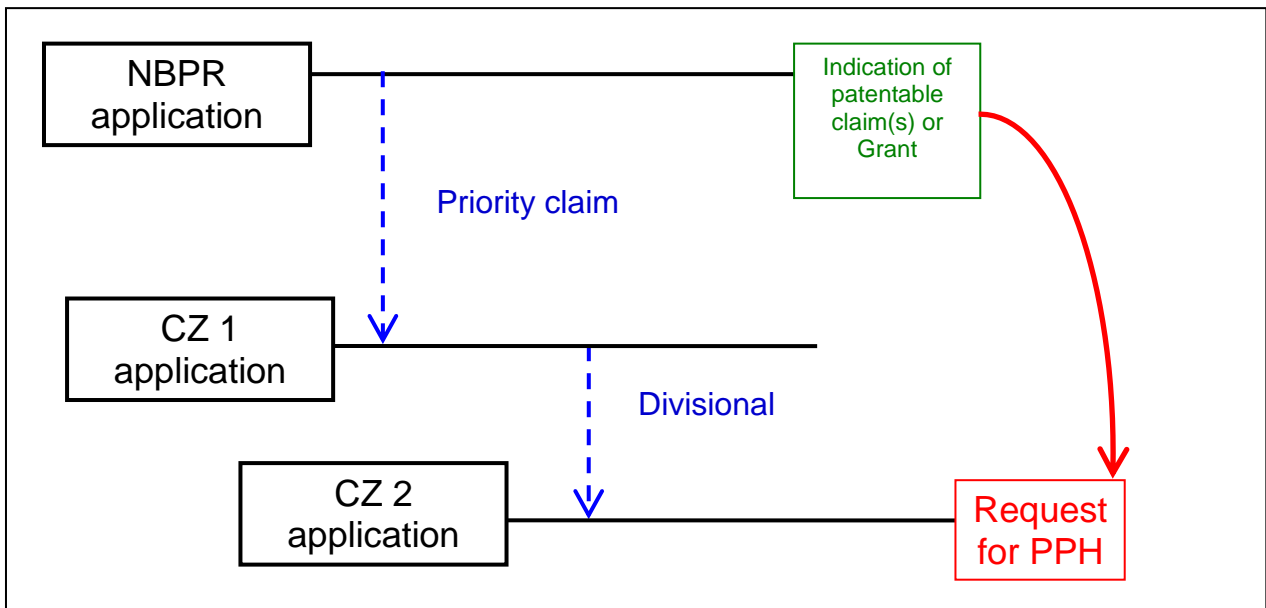


Figure F :

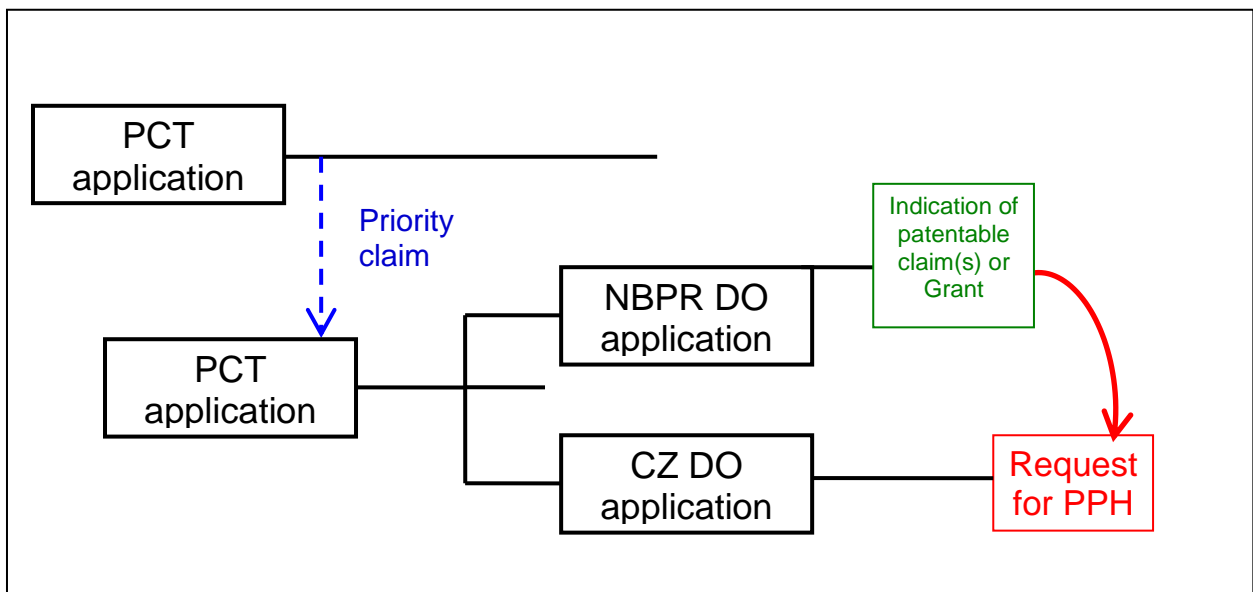


Figure G:

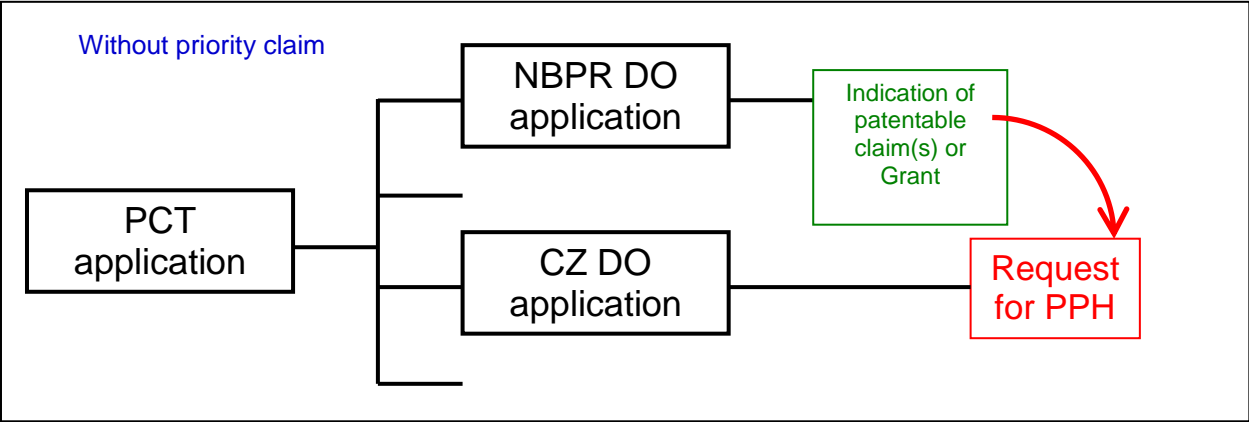


Figure H:

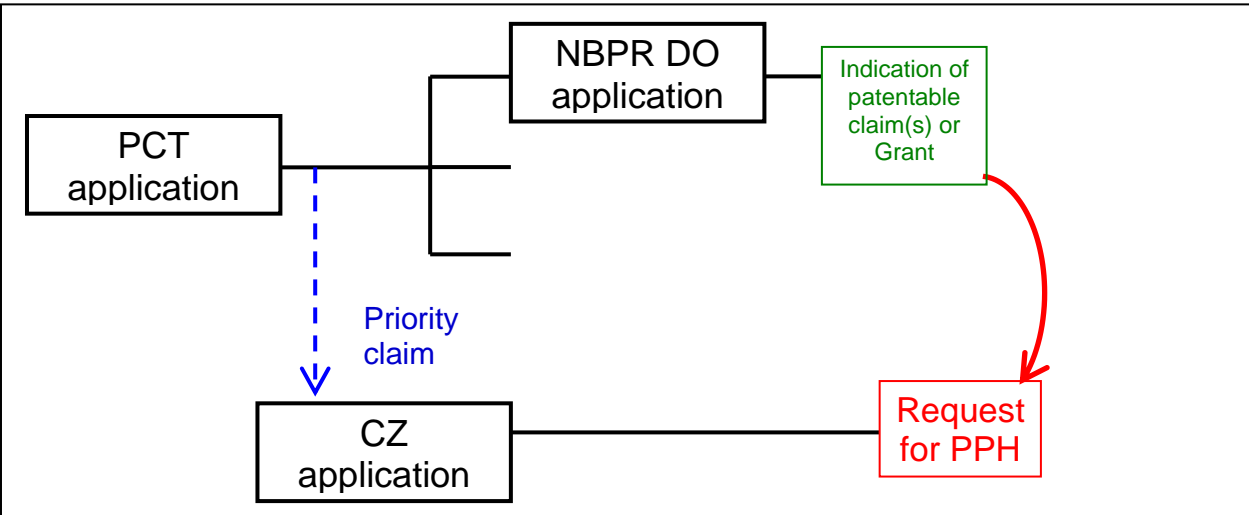


Figure I:

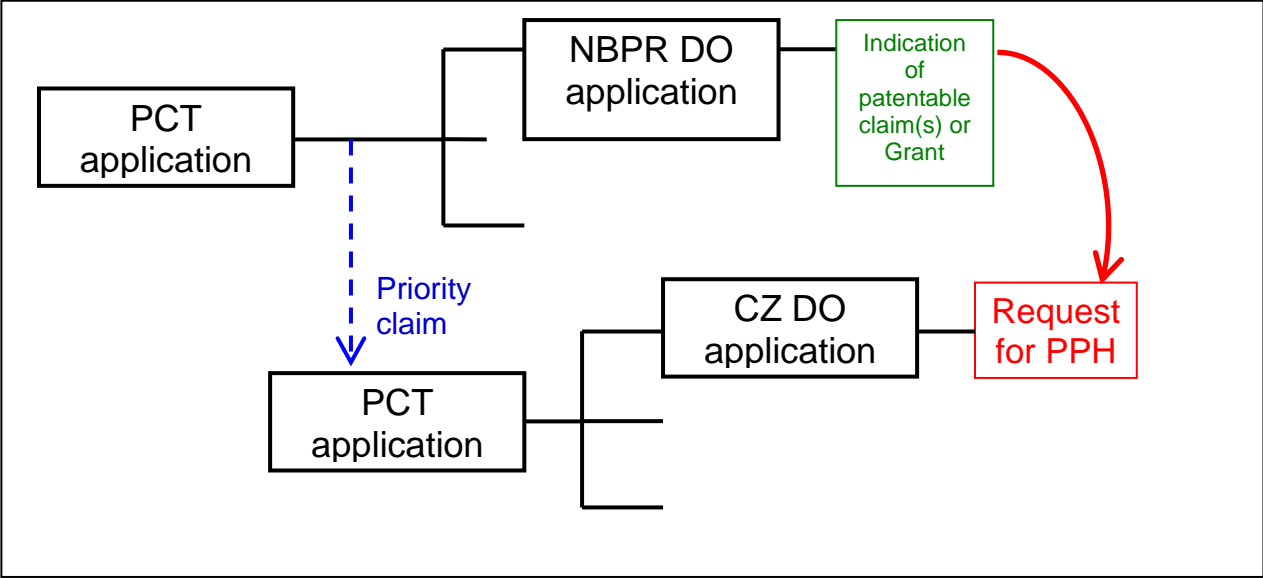


Figure J:

